

Garnet

self contained



Electronic controller



Top mounted



GN pan compatible



Cylindrical locks



10 Amp power

An Australian made cabinet with a choice of a 1 or 2 door gastronorm models and various options. A proven performer in many areas of operation. A generous 1270 litre capacity in the two door and your choice of refrigerator or freezer.

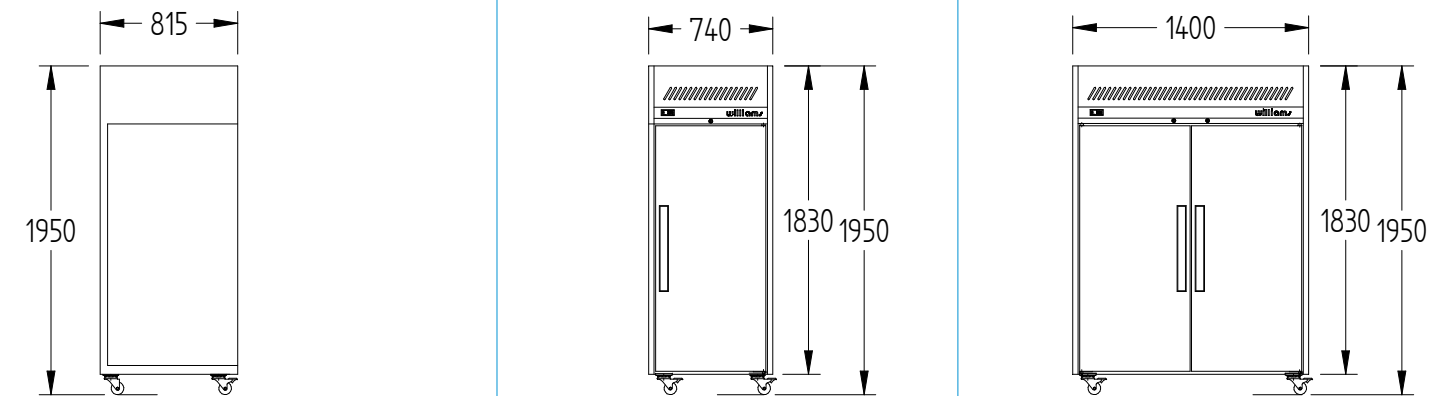


Advantages

- 43°C ambient rating for hard working environments
- Coolsmart electronic controller for energy efficiency and even temperatures
- Easy clean covered internal liner
- Top mounted refrigeration system for simple maintenance and easy servicing
- Waste heat recovery vaporiser system—no need for external drain
- Threaded castors allow simple leg changeover if required
- Four adjustable 2/1 Gn plastic coated shelves/door
- Accommodates 2/1 gastronorm pans on shelves or dedicated anti tilt tray slides
- Cylindrical locks fitted as standard
- Peace of mind auto defrost (electric on freezer models)
- Designed and built to international quality standards for reliability and performance
- 75 mm spacing between slides

STANDARD HINGE ON SINGLE DOOR MODEL (WHEN FACING FRONT OF UNIT):

- GLASS DOOR-LHH
- SOLID DOOR-RHH



MODEL	1 DOOR	2 DOOR
H (Refrigerator +1°/+4°C)	HG1SDSS	HG2SDSS
L (Freezer -18°/-22°C)	LG1SDSS	LG2SDSS
HL (Refrigerator +1°/+4°C Freezer -18°/-22°C)	HLG1SDSS	HLG2SDSS

SPECIFICATIONS	1 DOOR	2 DOOR
CAPACITY LITRES	610	1270
DIMENSIONS - W X D X H (ON CASTORS) MM	740 W x 815 D x 1950 H	1400 W x 815 D x 1950 H
WEIGHT UNPACKED (KG)	170	220

STANDARD INCLUSIONS ***	1 DOOR	2 DOOR
DOOR TYPE	Standard: SD (Solid Door) Optional: GD (Glass Door), PT (Pass Thru), HD (Half Door)	
FINISH (INTERIOR AND EXTERIOR EXCLUDING REAR AND UNDER)		SS (Stainless Steel)
SHELVES/DOOR	4	4

ELECTRICAL	1 DOOR	2 DOOR
POWER SUPPLY (DUAL TEMP MODEL REQUIRES 2)	10 amp	10 amp
FRIDGE MODELS RUNNING AMPS	3.8	5.3
FREEZER MODELS RUNNING AMPS	4.3	5.4
DUAL TEMP MODELS RUNNING AMPS	6.5	8.0

GAS TYPE	1 DOOR	2 DOOR
REFRIGERANT FRIDGE MODELS	R134a	R134a
REFRIGERANT FREEZER MODELS	R404a	R404a

REFRIGERATION WATTAGES FOR OPTIONAL REMOTE UNITS	1 DOOR	2 DOOR
FRIDGE MODELS - SOLID DOORS	470 @ -5°C SST	670 @ -5°C SST
FREEZER MODELS - SOLID DOORS	630 @ -30°C SST	900 @ -30°C SST
DUAL TEMP FRIDGE SIDE - SOLID DOORS	310 @ -5°C SST	450 @ -5°C SST
DUAL TEMP FREEZER SIDE - SOLID DOORS	400 @ -30°C SST	600 @ -30°C SST

*** For Garnet OPTIONS see page 27

Prices do not include GST. Prices and specifications are subject to change without notice.