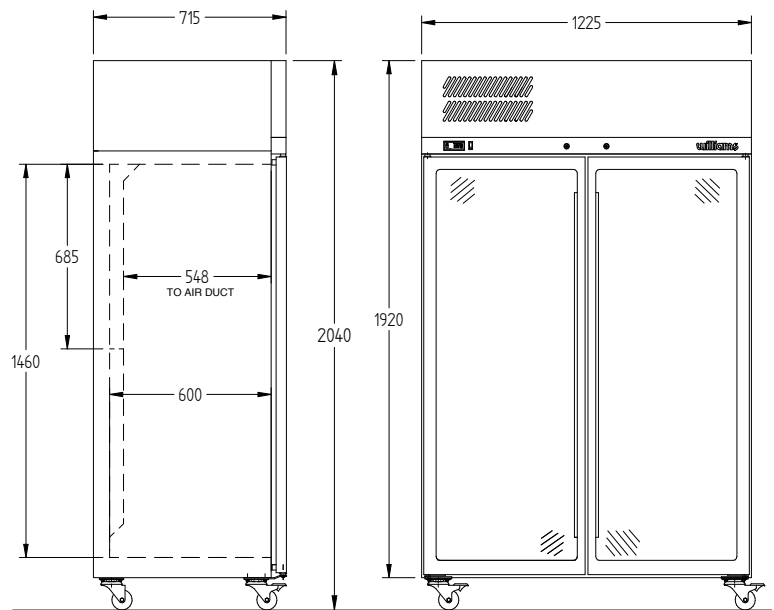
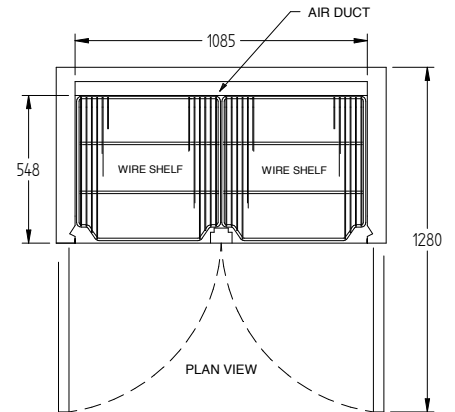


LPS2GD



CATEGORY	GENERAL UPRIGHTS
RANGE	Pearl Star
UNIT	FREEZER
TYPE	SELF CONTAINED
DOORS	2



SPECIFICATIONS

CAPACITY LITRES	950
TEMPERATURE	-18°C / -22°C
DIMENSIONS - W X D X H (ON CASTORS) MM	1225 W x 715 D x 2040 H
WEIGHT UNPACKED (KG)	220

STANDARD INCLUSIONS ***

DOOR TYPE	GD (Glass Door)
FINISH (INTERIOR AND EXTERIOR, EXCLUDES REAR AND UNDER, STAINLESS STEEL INTERNAL FLOOR)	CB (White), CBB (Black), SS (Stainless Steel)
SHELVES/DOOR	4

ELECTRICAL

POWER SUPPLY	10 amp	
FREEZER MODELS - GLASS DOORS	RUNNING AMPS	9.0

GAS TYPE

REFRIGERANT	FREEZER MODELS	R404a
-------------	----------------	-------

REFRIGERATION WATTAGES FOR OPTIONAL REMOTE UNITS

FREEZER MODELS - GLASS DOORS	1480 @ -30°C SST
------------------------------	------------------

*** For **OPTIONS** refer to the current Williams Price Guide