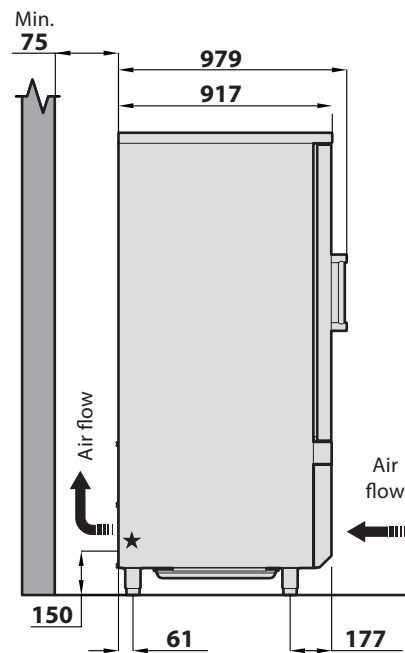
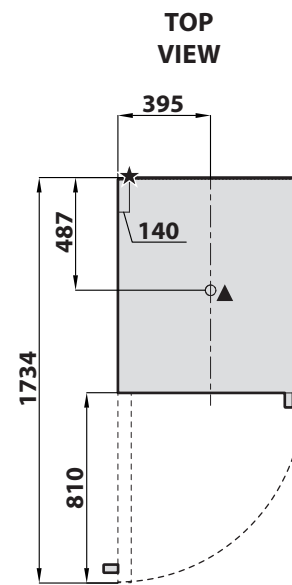


**FRONT VIEW**

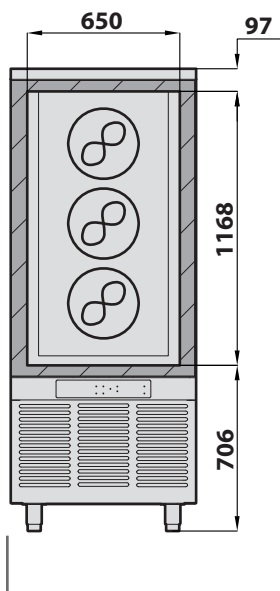


**SIDE VIEW**

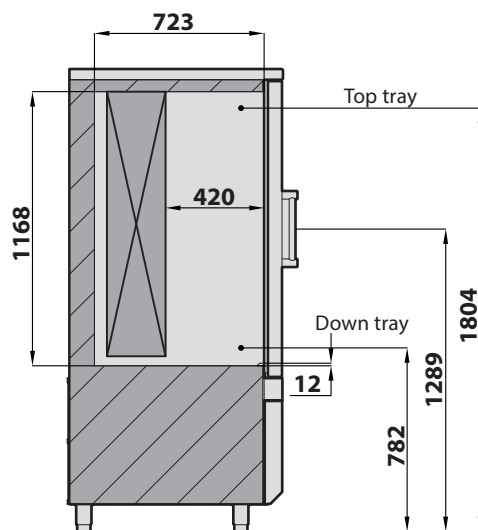


**TOP VIEW**

★ Main power cable  
▲ Drain pipe ø 31



**INTERIOR VIEW**



TRAYS CAPACITY		
Number of trays GN1/1 (H= 40 mm)	-	18
Number of trays GN2/1 (H= 40 mm)	-	-
Yield for blast chilling cycle: (90/+3°C)	kg	45,0
Yield for shock freezing cycle: (90/-18°C)	kg	45,0
*: within 90 min. **: within 240 min.		

HEIGHT			
		a	b
Standard feet	mm	1970	115 ÷ 165
Lowered feet option	mm	1940	80 ÷ 115
Wheel option	mm	2010	155

measurement in millimeters

**IRINOX**

Mod.: **EF 45.1**

Cod.: **PEF0451SAAxxxx**

Ed.: **01/08/2018** Rev.: **00**

## BLAST CHILLER/FREEZER WITH INTEGRATED AIR CONDENSING UNIT

Electric supply:		400V 3N+PE 50Hz	400V 3N+PE 60Hz	230V 3+PE 50Hz	230V 3+PE 60Hz	200V 3+PE 50/60Hz
Total rating:	kW	3,70	3,90	3,80	4,70	3,80 / 4,60
Full load amps:	A	5,60	6,00	14,10	14,70	14,20 / 14,60
Main power cable	mm <sup>2</sup>	5G1.5	5G1.5	4G1.5	4G1.5	4G1.5
Compressor rating	HP	2,8	2,8	2,8	2,8	2,8
Refrigeration Yield (-10/40°C)	W	6013	7216	6013	7216	6013 / 7216
Condenser rating (-10/40°C)	W	9075	11038	9075	11038	9075 / 1103
Refrigerant type:	-	R404A / R452A				
Nominal refrigerant charge:	kg gas	2,50				
Minimum Air Flow	m <sup>3</sup> /h	3000	3300	3000	3300	3000 / 3300
Maximum ambient air temperature:	°C	32				
Cabinet dimension: (W × D × H)	mm	790 × 972 × 1970				
Cabinet weight:	kg	242,00				
Compressor Noise (5 m)	dB(A)	-	-	-	-	- / -

### In implementation of the European Regulation 1095/2015 Irinox states that consumption is:

Model(S)	EF 45.1 (400V-3N+PE 50Hz)	
Type of product	Blast chiller / Blast freezer	
Refrigerant fluid(S)	-	R404A
Refrigerant charge	kg gas	2,50
Blast chilling program	Delicate +3 °C	
Blast freezing program	Strong -18 °C	
Energy consumption Blast chilling cycle	kWh/kg	0,0950
Energy consumption Blast freezing cycle	kWh/kg	0,2250
Chilled full load capacity	kg	45
Frozen full load capacity	kg	45
Blast chilling cycle from/to +65 °C / +10°C	min	90
Blast freezing cycle from/to +65 °C / -18°C	min	234
Contact details:	IRINOX Spa, Via Madonna di Loreto 6/B 31020 Corbanese di Tarzo (TV) Italy	

# IRINOX

Mod.: **EF 45.1**

Cod.: **PEF0451SAAxxxx**

Ed.: **01/08/2018** Rev.: **00**