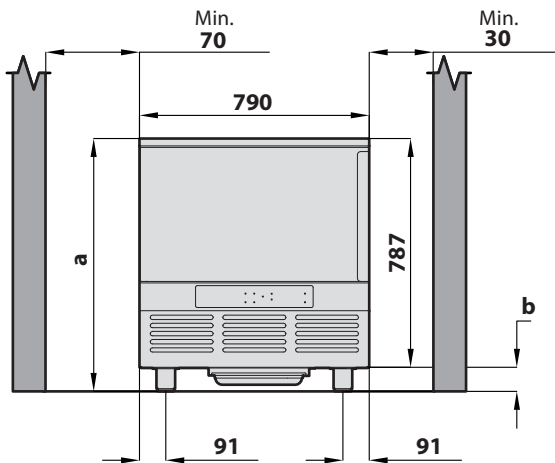
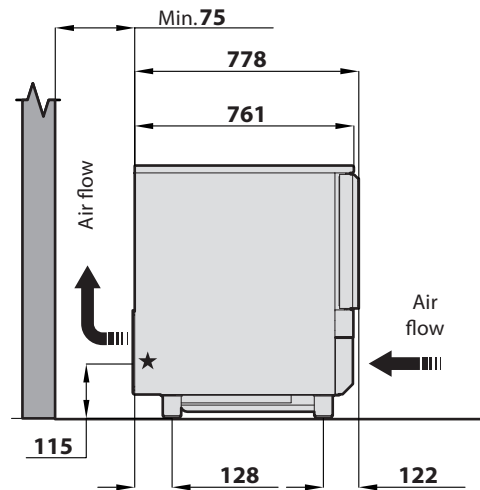


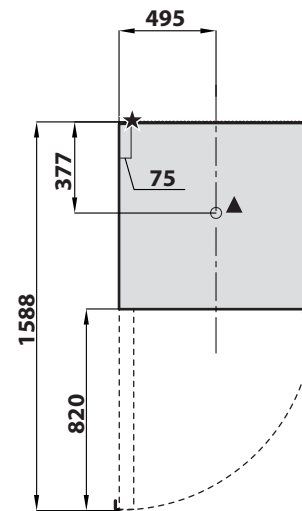
**FRONT VIEW**



**SIDE VIEW**

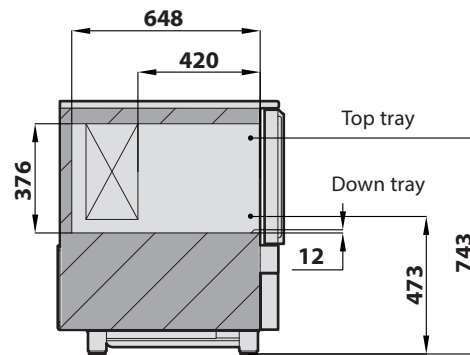
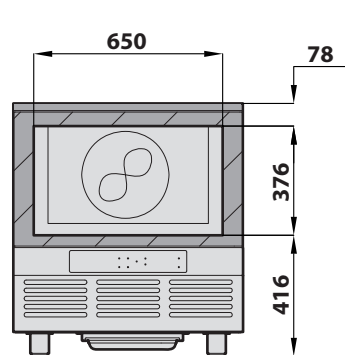


**TOP VIEW**



★ Main power cable  
▲ Drain pipe ø 31

**INTERIOR VIEW**



**TRAYS CAPACITY**

Number of trays GN1/1 (H= 40 mm)	-	5
Number of trays GN2/1 (H= 40 mm)	-	-
Yield for blast chilling cycle: (90/+3°C)	kg	20,0
Yield for shock freezing cycle: (90/-18°C)	kg	20,0
*: within 90 min. **: within 240 min.		

**HEIGHT**

		a	b
Standard feet	mm	867	80 ÷ 115
Lowered feet option	mm	847	60 ÷ 80
Wheel option	mm	-	-

measurement in millimeters

**IRINOX**

Mod.: EF 20.1

Cod.: PEF0201SAA

Ed.: 10/07/2017 Rev.: 00

## BLAST CHILLER/FREEZER WITH INTEGRATED AIR CONDENSING UNIT

		230V 1N+PE 50Hz	230V 1N+PE 60Hz	208V 2+PE 60Hz	-	200V 2+PE 50/60 Hz
Electric supply:						
Total rating:	kW	1,20	1,30	1,30	-	1,20 / 1,30
Full load amps:	A	6,30	6,20	6,40	-	6,20 / 6,40
Main power cable	mm <sup>2</sup>	3G1.5	3G1.5	3G1.5	-	3G1.5
Compressor rating	HP	0,5	0,5	0,5	-	0,5
Refrigeration Yield (-10/40°C)	W	1727	1623	1623	-	1623 / 1623
Condenser rating (-10/40°C)	W	2683	2549	2549	-	2549 / 2549
Refrigerant type:	-	R404A / R452A				
Nominal refrigerant charge:	kg gas	1,40				
Minimum Air Flow	m <sup>3</sup> /h	1100	1210	1210	-	1110 / 1210
Maximum ambient air temperature:	°C	32				
Cabinet dimension: (W × D × H)	mm	790 × 771 × 870				
Cabinet weight:	kg	112,00				
Compressor Noise (5 m)	dB(A)	-	-	-	-	- / -

## In implementation of the European Regulation 1095/2015 Irinox states that consumption is:

Model(S)	EF 20.1 (230V-1N+PE 50Hz)	
Type of product	Blast chiller / Blast freezer	
Refrigerant fluid(S)	-	R404A
Refrigerant charge	kg gas	1,40
Blast chilling program	Delicate +3 °C	
Blast freezing program	Strong -18 °C	
Energy consumption Blast chilling cycle	kWh/kg	0,0650
Energy consumption Blast freezing cycle	kWh/kg	0,2520
Chilled full load capacity	kg	20
Frozen full load capacity	kg	20
Blast chilling cycle from/to +65 °C / +10°C	min	91
Blast freezing cycle from/to +65 °C / -18°C	min	266
Contact details:	IRINOX Spa, Via Madonna di Loreto 6/B 31020 Corbanese di Tarzo (TV) Italy	

# IRINOX

Mod.: **EF 20.1**

Cod.: **PEF0201SAA**

Ed.: **10/07/2017** Rev.: **00**